

DELTA[®]-COLDJOINT BARRIER

Installation instructions for below grade cold joint moisture protection.

Health and Safety

- Required safety equipment: hard hat, safety boots, gloves, safety glasses.
- Always follow all safety precautions as directed by the Occupational Safety and Health Administration (OSHA-USA) or the Construction Safety Association (Canada).
- Please refer to Material Safety Data Sheets for all components and observe all recommended safety precautions therein.
- The general codes of practice for protection at work and instructions of the manufacturers for tools and components are to be observed at all times.

Recommended Materials

- DELTA[®]-COLDJOINT BARRIER
- DELTA[®]-PRIMER (water-based) or DELTA[®]-ADHESIVE (solvent-based)

Recommended Tools

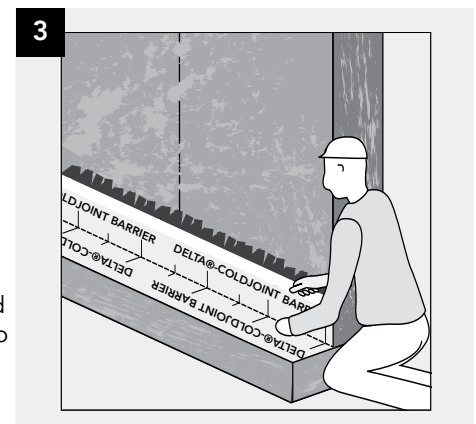
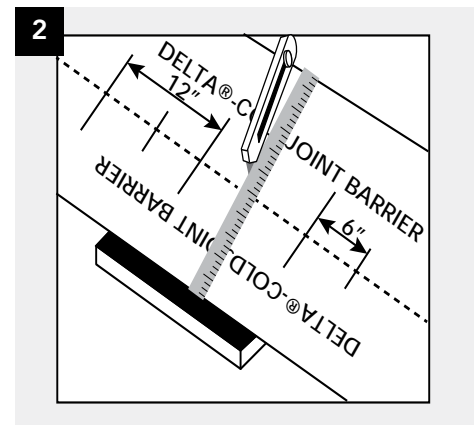
- Hand roller
- Short nap paint roller and handle
- Utility knife
- Broom, work gloves

Notes and Limitations

- These installation instructions for DELTA[®]-COLDJOINT BARRIER are intended only as a guide and are for the convenience of the contractors, specifiers, and other interested parties. The final application and details are the sole responsibility of the design authority on record for the project.
- Always confirm the local building code requirements prior to installation.
- DELTA[®]-COLDJOINT BARRIER is for the treatment of non-moving joints.
- DELTA[®]-COLDJOINT BARRIER maybe be used as a pretreatment and detail membrane in DELTA[®]-THENE 40 and DELTA[®]-THENE 60 waterproofing applications.
- Ensure protrusions that may penetrate the membrane are removed from substrate.
- Prior to installation of DELTA[®]-COLDJOINT BARRIER, clean top of footing of any gravel and debris with a broom.
- All surfaces should be dry, structurally sound and free from spalled areas.
- Patch any rough areas or areas of unconsolidated concrete with mortar or grout.
- DELTA[®]-ADHESIVE must be used only in well-ventilated areas.
- When applying DELTA[®]-COLDJOINT BARRIER to an Insulated Concrete Form (ICF) foundation, use only DELTA[®]-PRIMER. Using DELTA[®]-ADHESIVE will cause deterioration of ICF wall.
- Hand roll DELTA[®]-COLDJOINT BARRIER with hand roller to ensure proper adhesion.
- Maximum exposure time:
 - DELTA[®]-COLDJOINT BARRIER shall not be exposed to UV light (sunlight) for more than 30 days.

Installation

- Priming Substrate:
 - Apply primer with short nap roller at recommended application rate to the substrate. Apply only to substrate where DELTA[®]-COLDJOINT BARRIER will be applied (not to DELTA[®]-COLDJOINT BARRIER). Apply only to areas to be protected that day. Areas not covered by membrane must be reprimed next work day prior to continuing DELTA[®]-COLDJOINT BARRIER application. (see Detail 1)
 - If DELTA[®]-FOOTING BARRIER has been installed, do not prime it. DELTA[®]-COLDJOINT BARRIER will adhere to DELTA[®]-FOOTING BARRIER.
 - Allow primer to dry a minimum of 30 minutes or until tack-free prior to applying DELTA[®]-COLDJOINT BARRIER. Actual drying time may be longer in cold temperatures or humid conditions.



■ Installing DELTA®-COLDJOINT BARRIER:

- Precut DELTA®-COLDJOINT BARRIER to the desired length. (see Detail 2)
- Apply DELTA®-COLDJOINT BARRIER to the wall/footing junction (the cold joint), centering the middle of the membrane at the dotted line over the corner. (see Detail 3)
- DELTA®-COLDJOINT BARRIER may be used to protect other cold joint areas. Apply DELTA®-COLDJOINT BARRIER to other cold joints or detail areas (such as inside or outside corners), centering the middle of the membrane over the corners. (see Detail 4)

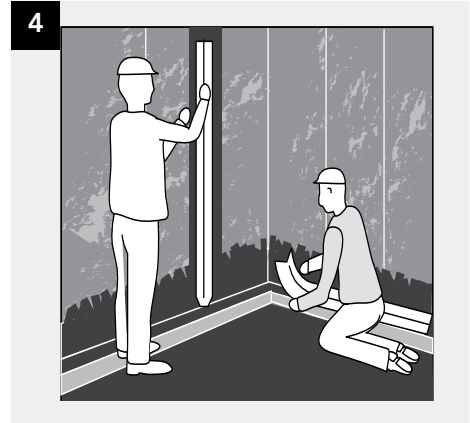
Inspection and Clean-up

- Inspect DELTA®-COLDJOINT BARRIER for rips, tears, unadhered areas, or other deficiencies.
- Patch any rips, tears, or holes with a piece of DELTA®-COLDJOINT BARRIER 2" (5 cm) larger than the hole.
- Walk around foundation and ensure all materials are installed as required.
- Clean up all excess materials and remove from excavation.

Complete Foundation Protection

- Proceed with application of DELTA®-THENE/DELTA®-DRAIN or DELTA®-MS. (see DELTA®-THENE, DELTA®-DRAIN or DELTA®-MS installation instructions)

For technical support, call our technical support team at 1-888-4DELTA4 (1-888-433-5824) extension 326, or visit www.cosella-dorcken.com.



COSELLA DÖRKEN
Cosella-Dörken Products Inc.
4655 Delta Way
Beamsville, Ontario
L0R 1B4
(905) 563-3255
Fax: (905) 563-5582
1-888-4 DELTA 4
info@cosella-dorcken.com
www.cosella-dorcken.com
A company of the Dörken Group

The information printed in this brochure reflects product information and specifications at the date of printing. The manufacturer reserves the right to make changes when necessary. All rights reserved.



DELTA®-branded quality products
manufactured by Cosella-Dörken.